

MAMY PLATE



Innovating with confidence



Innovating with confidence

MAMY PLATE 2 HOLES



STAINLESS STEEL

CODE	SIZE
PSL-8P2-012	12 mm
PSL-8P2-016	16 mm
PSL-8P2-020	20 mm
PSL-8P2-024	24 mm
PSL-8P2-028	28 mm

MAMY PLATE 4 HOLES



STAINLESS STEEL

CODE	SIZE
PSL-8P4-012	12 mm
PSL-8P4-016	16 mm
PSL-8P4-022	22 mm
PSL-8P4-026	26 mm
PSL-8P4-032	32 mm



TITANIUM

CODE	SIZE
PTL-8P2-012	12 mm
PTL-8P2-016	16 mm
PTL-8P2-020	20 mm
PTL-8P2-024	24 mm
PTL-8P2-028	28 mm



TITANIUM

CODE	SIZE
PTL-8P4-012	12 mm
PTL-8P4-016	16 mm
PTL-8P4-022	22 mm
PTL-8P4-026	26 mm
PTL-8P4-032	32 mm

TITANIUM

CANNULATED SCREW
4.5Ø



FULL SCREW
4.5Ø



TITANIUM

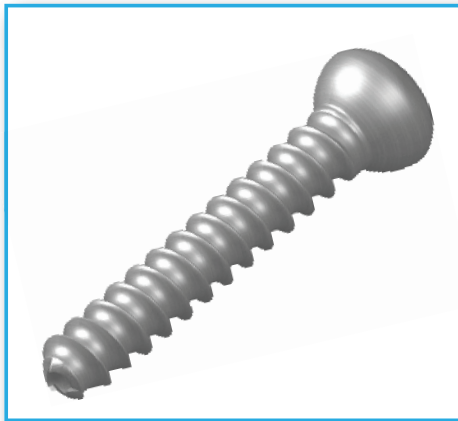
CODE	SIZES
PTL-8SC-016	16 mm
PTL-8SC-020	20 mm
PTL-8SC-024	24 mm
PTL-8SC-028	28 mm
PTL-8SC-032	32 mm
PTL-8SC-036	36 mm
PTL-8SC-040	40 mm

TITANIUM

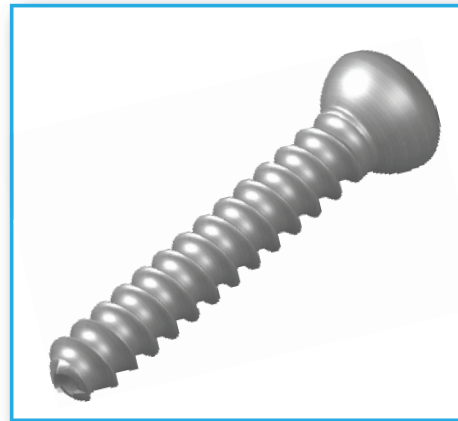
CODE	SIZES
PTL-8SP-016	16 mm
PTL-8SP-020	20 mm
PTL-8SP-024	24 mm
PTL-8SP-028	28 mm
PTL-8SP-032	32 mm
PTL-8SP-036	36 mm
PTL-8SP-040	40 mm

STAINLESS STEEL

CANNULATED SCREW
4.5Ø



FULL SCREW
4.5Ø



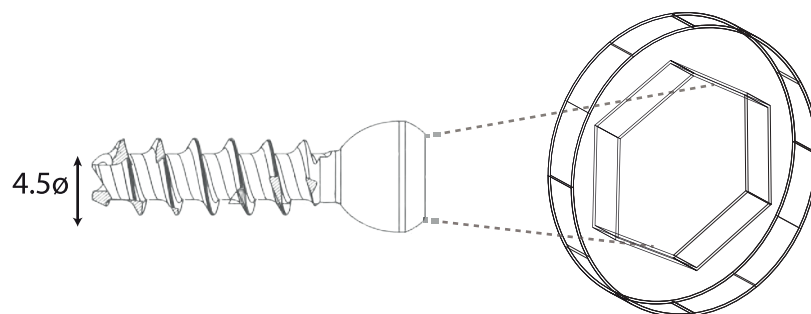
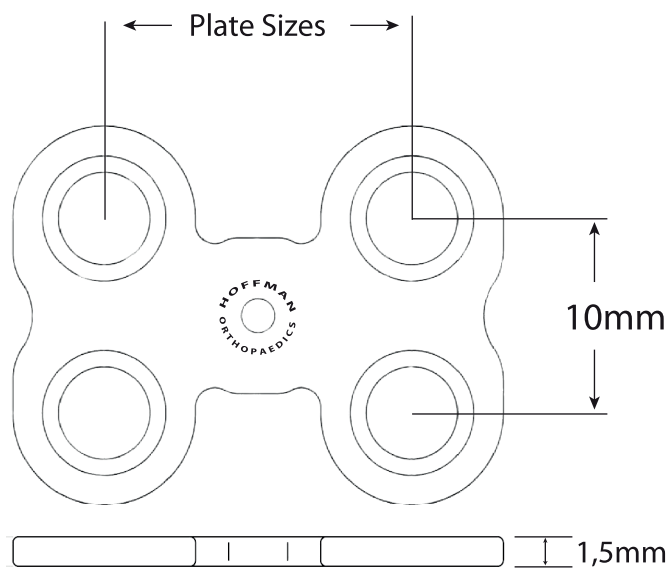
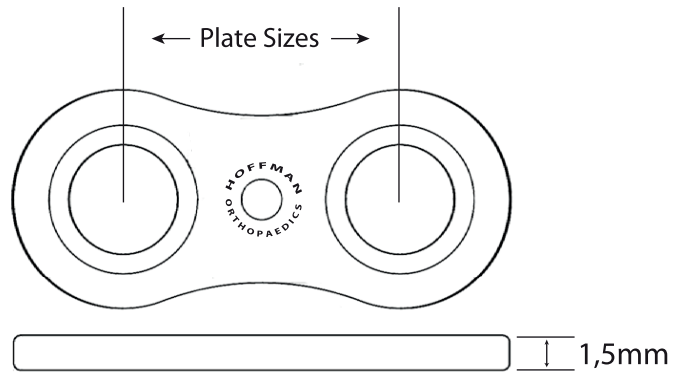
STAINLESS STEEL

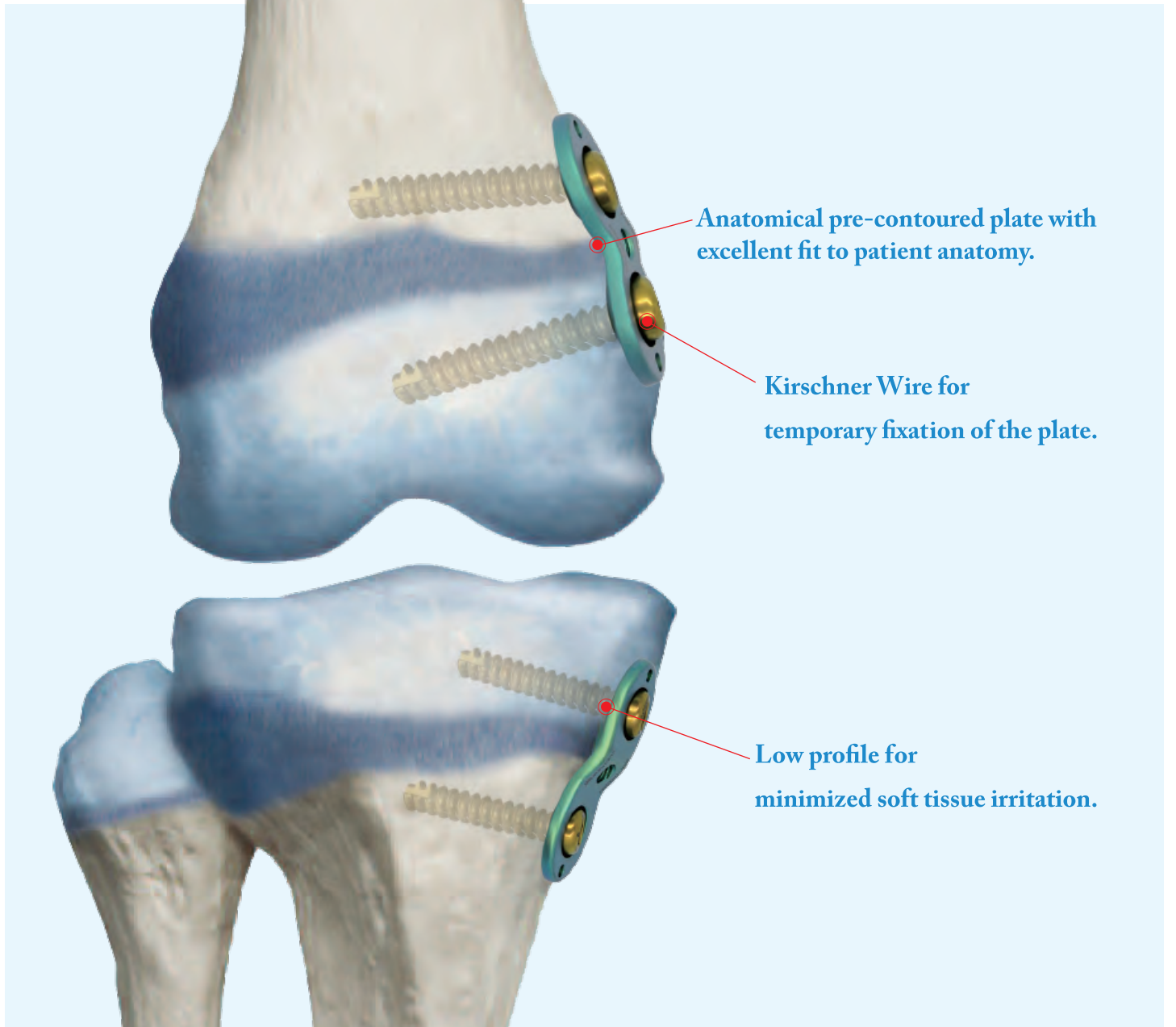
CODE	SIZES
PSL-8SC-016	16 mm
PSL-8SC-020	20 mm
PSL-8SC-024	24 mm
PSL-8SC-028	28 mm
PSL-8SC-032	32 mm
PSL-8SC-036	36 mm
PSL-8SC-040	40 mm

STAINLESS STEEL

CODE	SIZES
PSL-8SP-016	16 mm
PSL-8SP-020	20 mm
PSL-8SP-024	24 mm
PSL-8SP-028	28 mm
PSL-8SP-032	32 mm
PSL-8SP-036	36 mm
PSL-8SP-040	40 mm

Technical Requirements





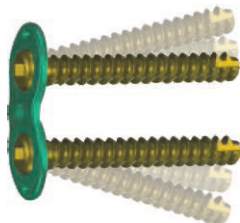
Anatomical pre-contoured plate with excellent fit to patient anatomy.

Kirschner Wire for temporary fixation of the plate.

Low profile for minimized soft tissue irritation.



4.5mm Cortex Screw, Self-tapping, Cannulated



Diverging screws work as a hinge to facilitate physis growth and faster correction .

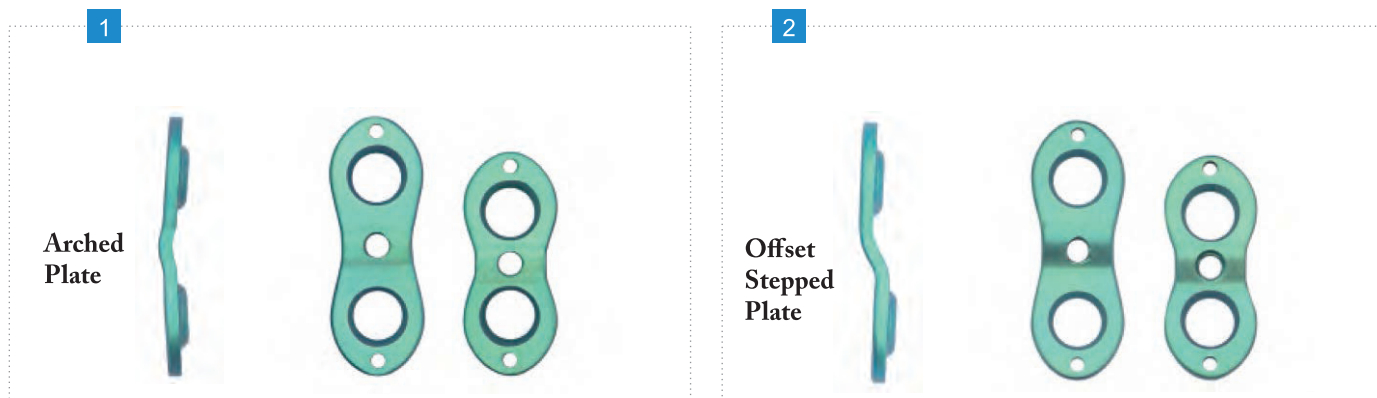


Cannulated design facilitate the screws inserting orientation with the help of kirschner wire.



Warning

This flyer is just for understanding the specific product features. For clinical usage, please refer to the surgical guide. Instruction by experienced surgeon is highly recommended.



Available in Stepped and Arched Shape, to accomadate each patient.



Minimally invasive technique facilitates operation and reduces post-surgical pain, allowing immediate mobilization and weight bearing.

Elevated design reduces contact with growth plate and periosteum.



Indications

Gradual correction of pediatric deformities in upper and lower extremities:

- Ankle valgus
- Cubitus varus (post supracondylar fracture)
- Knee valgus, varus, oblique plane, flexion deformity, recurvatum



Mamy Plate Instrument Set

PSL-8PI-12

Screwdriver Hexagonal,
Not Cannulated



PSL-8PI-7

Screw Tap, Cannulated



PSL-8PI-1

Handle Template



Mamy Plate Instrument Set

PSL-8PI-2

Drill Sleeve for Guide Wires,



PSL-8PI-3

Depth Gauge for Guide Wires



PSL-8PI-5

Drill Sleeve for Drill Bits,



PSL-8PI-6

Cannulated Drill Bit,



PSL-8PI-11

Drill Sleeve for Screw Holes



PSL-8PI-13

Screwdriver Hexagonal,
Cannulated,



PSL-8PI-14

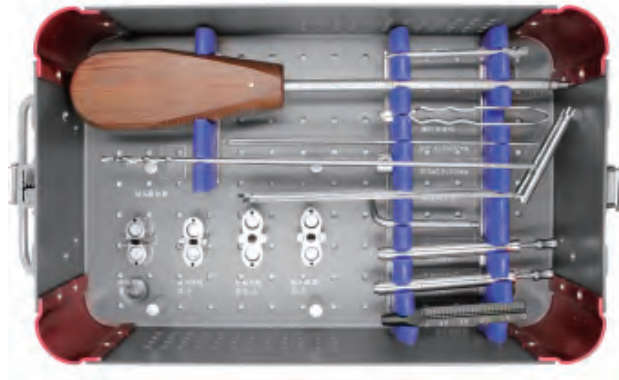
Screw Forceps



Mamy Plate Instrument Set

PSL-8PI-STD Instrument Standard Set

Sterile Box



Cannulated
Screw-Driver



Guide-Tool



Drill-bit

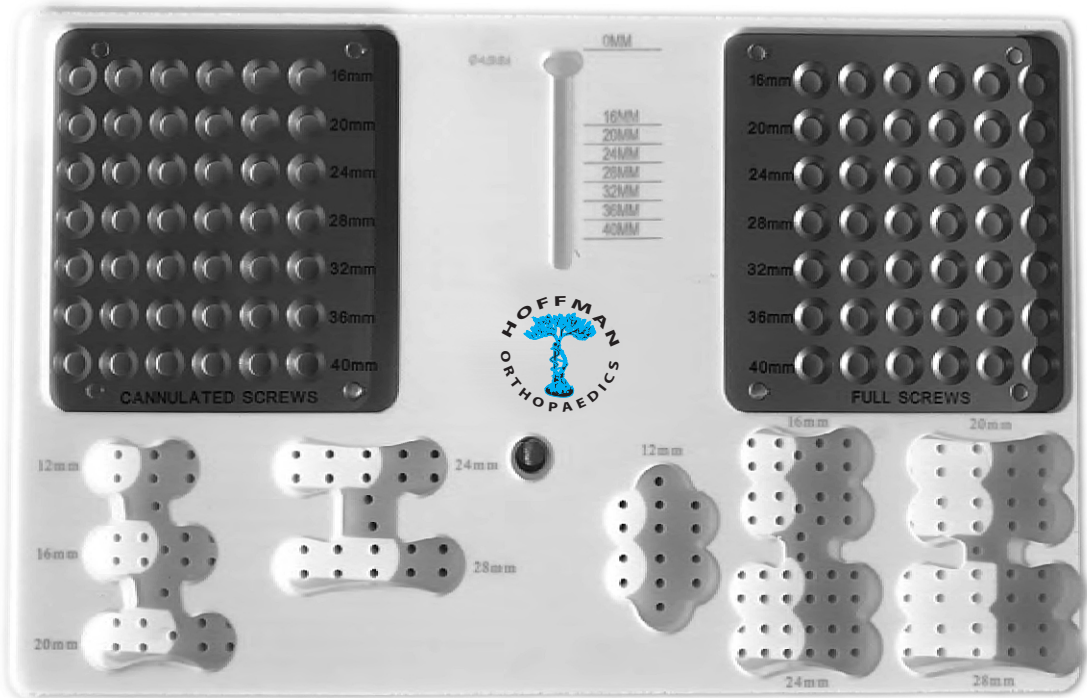


K-wire



PSL-8PI-18

Docking station



HOFFMAN ORTHOPAEDICS
Orthopedic Implant

info@hoffmanorthopaedics.com
www.hoffmanorthopaedics.com